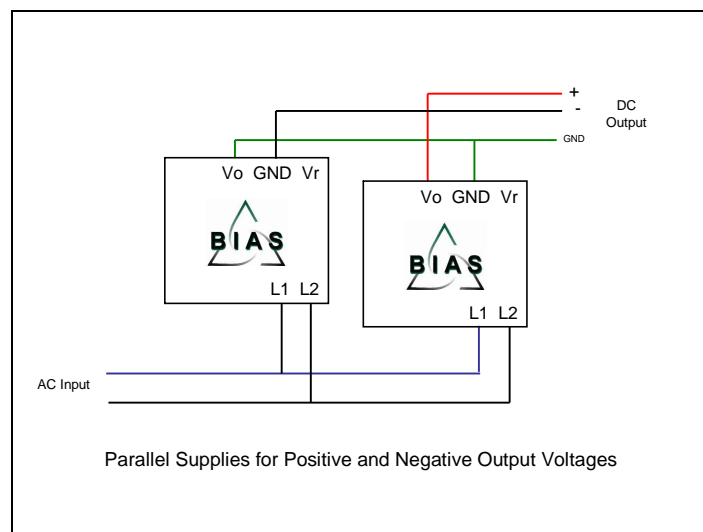


Application Note 428 – Positive and Negative Output Powering



Applications that require both positive and negative output voltages can be satisfied using Bias Power products with the inputs connected in parallel and the outputs connected in series. The power supplies are connected together as shown in the figure below.



The power supplies are designed with isolated outputs and therefore connecting the supplies in the manner shown will have no adverse effect on the supply. Each supply will operate independently regarding powering the loads.

For more information email (www.biaspower.com) or call Dr. Bias (+1 847.215.2427)