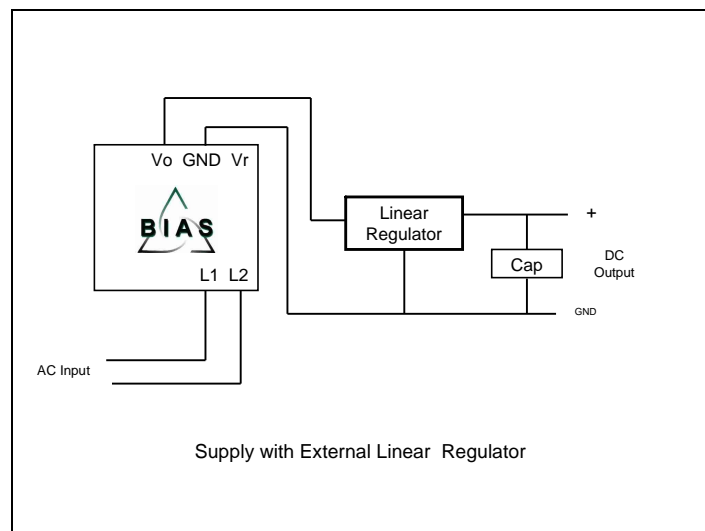


Application Note 433 – Non-Standard Output Voltages



Applications that require a voltage output that is not provided by a Bias Power standard product can be satisfied using a Bias Power product with a linear output regulator. The power supply can be configured as shown in the figure. This application may be used in conjunction with the Increasing Output Power (APPNote423 - Increasing Output Power.doc) and Extending Output Power (APPNote437 - Providing Short Interval - High Output Power.doc) applications due to the power lost due to the regulator.



NOTE: Output Peak Voltage Limiting Devices

Do not connect a voltage limiting device (such as a zener diode) directly to the supply output for voltage regulation. If a device is used that is below the rated output voltage, the supply will try to charge the output to the rated voltage. Since the voltage limiting device prevents the output from reaching the rated output voltage, the power supply will always run at maximum power. Voltage limiting devices can be connected to the output using a series resistor to allow the output to charge to rated output voltage.

For more information email (www.biaspower.com) or call Dr. Bias (+1 847.215.2427)