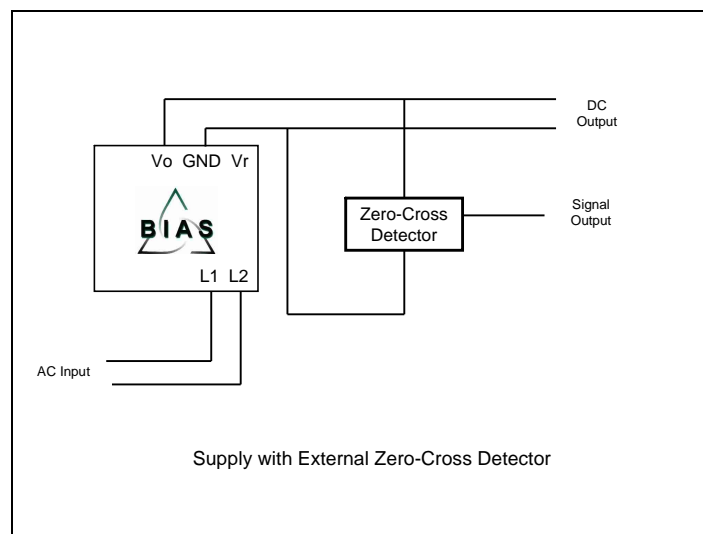


Application Note 441 – AC Synchronized Switching



Some applications require a signal that is aligned with the input AC power zero-crossing for other system switching. For these types of applications, Bias Power can provide an output module. This module will output a signal that is aligned with the zero-crossing of the input AC power. This module is connected to the output of the Bias Power supply as shown in the figure.



For more information email (www.biaspower.com) or call Dr. Bias (+1 847.215.2427)